



HARDWARE

REFERENCE DESIGN

WWW.UNICORECOMM.COM

UM220-IV NL

Industry Grade Multi-GNSS
Positioning Module

Copyright© 2009-2023, Unicore Communications, Inc.
Data subject to change without notice.



Revision History

| Version | Revision History | Date |
|---------|----------------------------------------------------------------------------------------------|-----------|
| R1 | UM220-IV NL Hardware Reference Design first edition | Aug. 2021 |
| R1.1 | Add notes about ESD protection | Nov. 2021 |
| R1.2 | Optimize the description of antenna power supply; Add Chapter 4 Power Supply Requirements | Apr. 2023 |

Legal right notice

This manual provides information and details on the products of Unicore Communication, Inc. ("Unicore") referred to herein.

All rights, title and interest to this document and the information such as data, designs, layouts contained in this manual are fully reserved, including but not limited to the copyrights, patents, trademarks and other proprietary rights as relevant governing laws may grant, and such rights may evolve and be approved, registered or granted from the whole information aforesaid or any part(s) of it or any combination of those parts.

Unicore holds the trademarks of "和芯星通", "UNICORECOMM" and other trade name, trademark, icon, logo, brand name and/or service mark of Unicore products or their product serial referred to in this manual (collectively "Unicore Trademarks").

This manual or any part of it, shall not be deemed as, either expressly, implied, by estoppel or any other form, the granting or transferring of Unicore rights and/or interests (including but not limited to the aforementioned trademark rights), in whole or in part.

Disclaimer

The information contained in this manual is provided "as is" and is believed to be true and correct at the time of its publication or revision. This manual does not represent, and in any case, shall not be construed as a commitments or warranty on the part of Unicore with respect to the fitness for a particular purpose/use, the accuracy, reliability and correctness of the information contained herein.

Information, such as product specifications, descriptions, features and user guide in this manual, are subject to change by Unicore at any time without prior notice, which may

not be completely consistent with such information of the specific product you purchase.

Should you purchase our product and encounter any inconsistency, please contact us or our local authorized distributor for the most up-to-date version of this manual along with any addenda or corrigenda.



Contents

| | | |
|----------|-------------------------------------------------------|----------|
| 1 | Minimum System Reference Circuit | 1 |
| 2 | Reference Circuit Using a Passive Antenna..... | 2 |
| 3 | Antenna State Detection Reference Circuit..... | 3 |
| 4 | Power Supply Requirements | 4 |
| 4.1 | Main Supply (VCC)..... | 4 |
| 4.2 | Backup Supply (V_BCKP)..... | 4 |
| 5 | Attachment | 5 |

1 Minimum System Reference Circuit

- Supply 3.0V~3.6V power VCC
- Ground all GND pins of the module
- Connect RF_IN signal to antenna, note the 50 Ω impedance match on the circuit
- Upgrade the module via port 1, ensuring that serial port 1 can interconnect with PC through the interface
- If the user has a high requirement for ESD (> ±2000 V), the user should consider other method to feed the antenna rather than using the VCC_RF pin.

If the antenna power supply and the module's main supply VCC use the same power rail, the ESD, surge and overvoltage from the antenna will have an effect on VCC, which may cause damage to the module. Therefore, it's recommended to design an independent power rail for the antenna to reduce the possibility of damage to the module.

When designing the antenna feed circuit, it is recommended to choose a power supply chip with high ESD protection level. Gas discharge tube, varistor, TVS tube and other high-power protective devices may also be used in the power supply circuit to further protect the module from ESD damage or other Electrical Over-Stress (EOS).

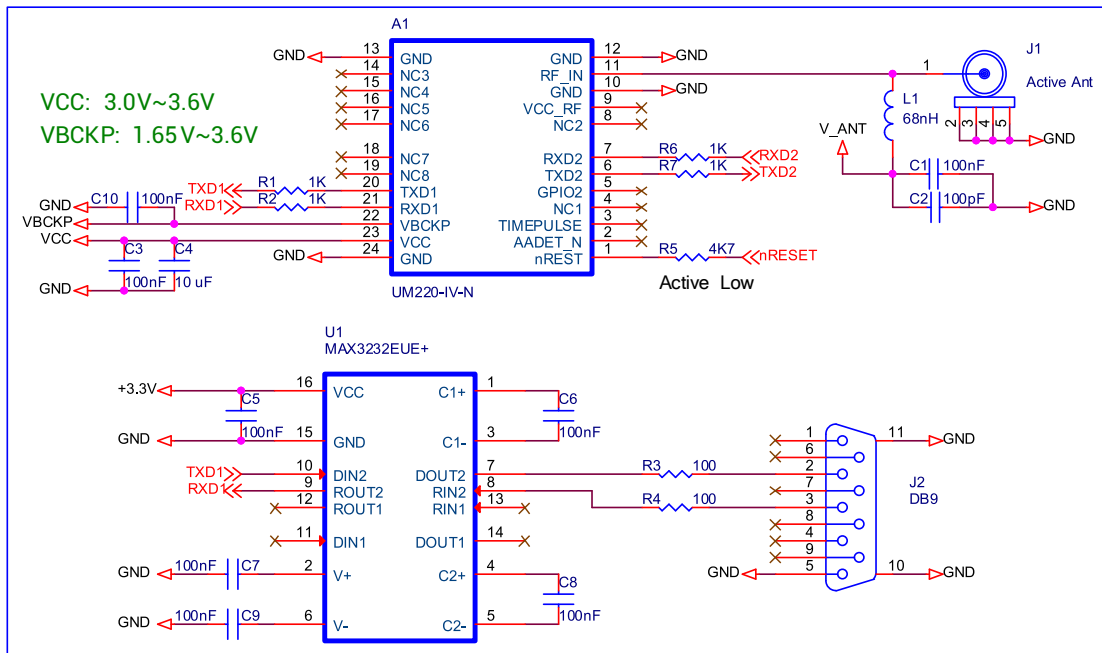


Figure 1-1 Minimum System Reference Circuit

2 Reference Circuit Using a Passive Antenna

- To ensure the system performance, low noise amplifier and filter should be added between the passive antenna and the module RF_IN
- If the user has a high requirement for ESD (> ±2000 V), the user should consider other method to power LNA rather than using VCC_RF.

When designing circuit to power LNA, it is recommended to choose a power supply chip with high ESD protection level. Gas discharge tube, varistor, TVS tube and other high-power protective devices may also be used in the power supply circuit to further protect the module from ESD damage or other Electrical Over-Stress (EOS).

- RF wire (Antenna → LNA → SAW → RF_IN), note the impedance matching at 50Ω

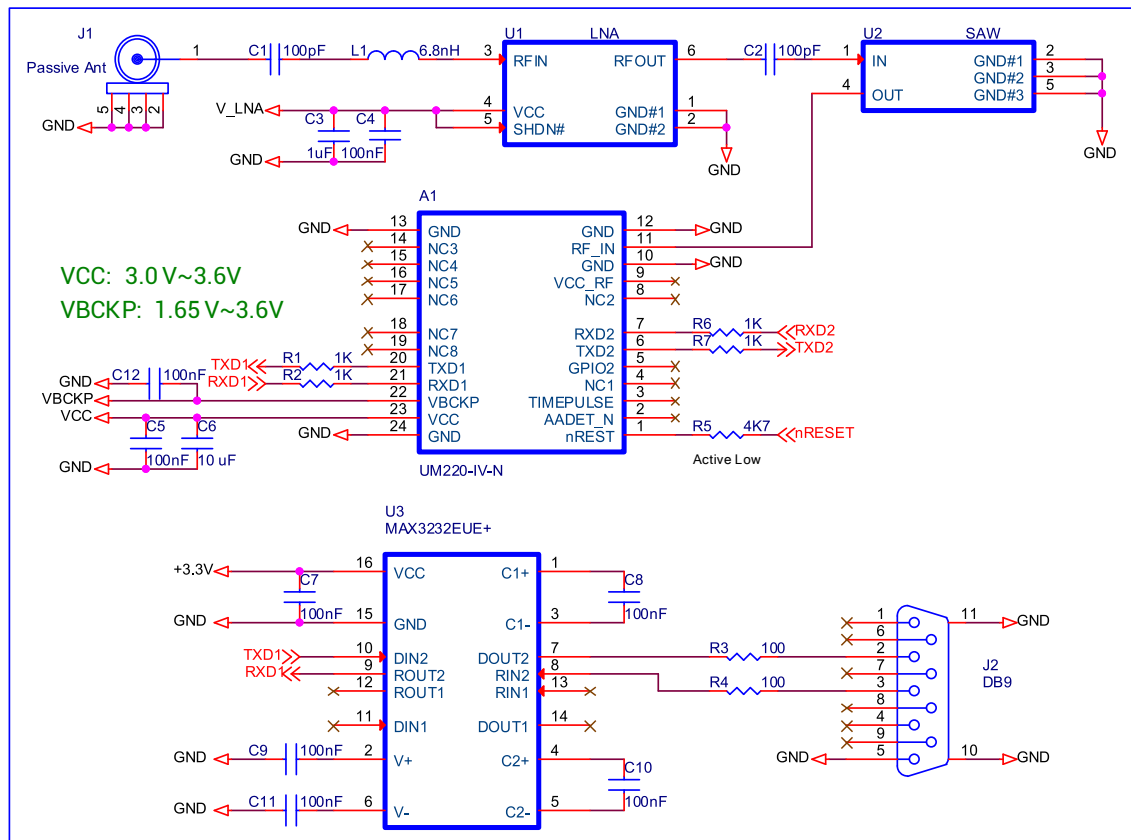


Figure 2-1 Reference Circuit Using a Passive Antenna

3 Antenna State Detection Reference Circuit

Antenna state detection uses the principle of feeding current detection, and the antenna state detection function is not supported when the antenna is not fed.

The detection circuit for the antenna state is not integrated inside the UM220-IV NL module, the antenna state detection function can be realized through the external circuit. It is suggested to add the following design to the antenna feeding circuit.

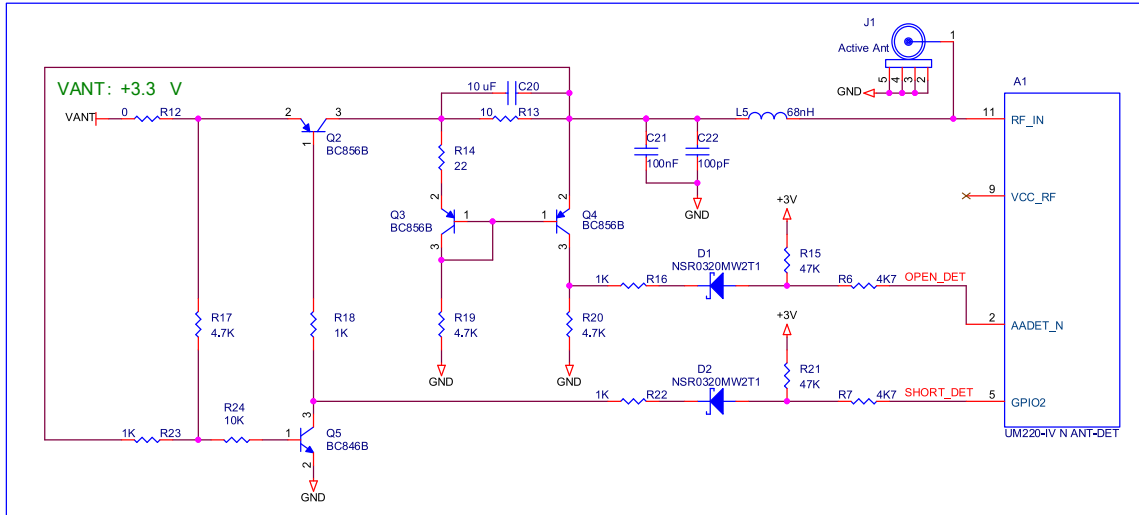


Figure 3-1 Reference Circuit of Antenna Detection

In the figure above, "VANT" is a standard +3.3V power supply for antenna, and the antenna is fed by a 68 nH inductor at the upper right. "OPEN_DET" and "SHORT_DET" at the lower right are status indicators of the antenna, which are described in the following table, respectively.

Table 3-1 Index Signal of Antenna Detection

| State | OPEN_DET | SHORT_DET |
|--------|----------|-----------|
| Open | HIGH | LOW |
| Short | LOW | HIGH |
| Normal | LOW | LOW |

NOTE:

The antenna supply voltage in the reference circuit is +3.3V, and the power supply current shall not exceed 80mA, if voltage and current are not in that range, adjust the parameter to ensure that SHORT_DET and OPEN_DET signals match the state values in the above table.



4 Power Supply Requirements

4.1 Main Supply (VCC)

The voltage range of VCC is 3.0 V ~ 3.6 V.

Notes:

- The VCC initial level when power-on should be less than 0.4 V.
- The VCC ramp when power-on should be monotonic, without plateaus.
- The voltages of undershoot and ringing should be within 5% VCC.
- VCC power-on waveform: The time interval from 10% rising to 90% must be within 100 μ s ~ 10 ms.
- Power-on time interval: The time interval between the power-off (VCC < 0.4 V) to the next power-on is recommended to be larger than 500 ms.

4.2 Backup Supply (V_BCKP)

If the hot start function is needed, users should supply backup power to the module. The voltage range of V_BCKP is 1.65 V ~ 3.6 V.

Notes:

- The V_BCKP initial level when power-on should be less than 0.4 V.
- The V_BCKP ramp when power-on should be monotonic, without plateaus.
- The voltages of undershoot and ringing should be within 5% V_BCKP.
- V_BCKP power-on waveform: The time interval from 10% rising to 90% must be within 100 μ s ~ 10 ms.
- Power-on time interval: The time interval between the power-off (V_BCKP < 0.4 V) to the next power-on is recommended to be larger than 500 ms.
- The V_BCKP pin cannot be floating or connected to ground. When V_BCKP is not used, it should be connected to VCC or connected to backup power.

5 Attachment

Avoid the leakage power

When designing the input interfaces for module UM220-IV NL, pull-up resistors are connected at the input interfaces (including RXD, GPIO as shown below) which are pulled up to VCC to prevent the impact caused by input variable state. Therefore, if there is data input on the above ports under the power-down mode, it will form leakage power on VCC, which may cause failure of startup when the module is powered on.

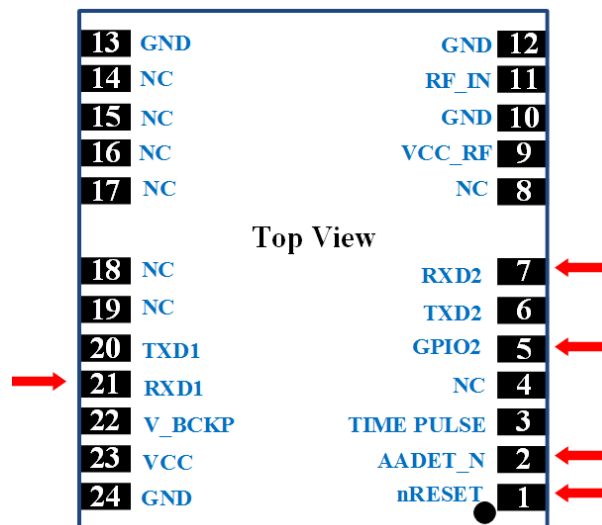


Figure 5-1 UM220-IV NL Module

Option 1

The series resistance for UART, PPS or other GPIO can avoid the abnormal operation generated when the user connects UM220-IV NL to AP or MCU applications, there is voltage through the above interface to UM220IV NL while the module powers off but AP or MCU is still at work.

- The recommended resistance value of the series resistor for RXD and TXD pin of UART interface is 1kΩ.
- The recommended resistance value of the series resistor for PPS or other GPIO is 4.7kΩ
- The recommended resistance value of the series resistor for nRESET pin when connected with AP or MCU is 4.7kΩ
- No external pull-up resistor is allowed to connect with the output pin TXD



Option 2

When the module is not powered on, make sure the IO port connected to the module is in high resistance state or low level to avoid leakage power.

Note:

Because of the series resistance, the user should assess that the external equivalent pull-up resistance should be large enough (for example, greater than 10k) to avoid affecting the correct identification of the logical level. If the user is able to ensure that the external equivalent pull-up resistance of the pin is greater than 4.7k at any time, from power on to normal operation, the series resistance at the module output can be appropriately reduced.

General principle: the total pull-up resistance (including series resistance) added to the chip pin, the larger the better without affecting the logical correct identification.

和芯星通科技（北京）有限公司

Unicore Communications, Inc.

北京市海淀区丰贤东路7号北斗星通大厦三层
F3, No.7, Fengxian East Road, Haidian, Beijing, P.R.China,
100094

www.unicorecomm.com

Phone: 86-10-69939800

Fax: 86-10-69939888

info@unicorecomm.com



www.unicorecomm.com